

PROADEC Portugal

SURTECO GROUP

PROADEC PROALU
Metallic Coating Edgings

PROALU

ALU EDGING

presentation

PROADEC presents PROALU, an upmarket and fashionable edging solution with a real metallic effect.

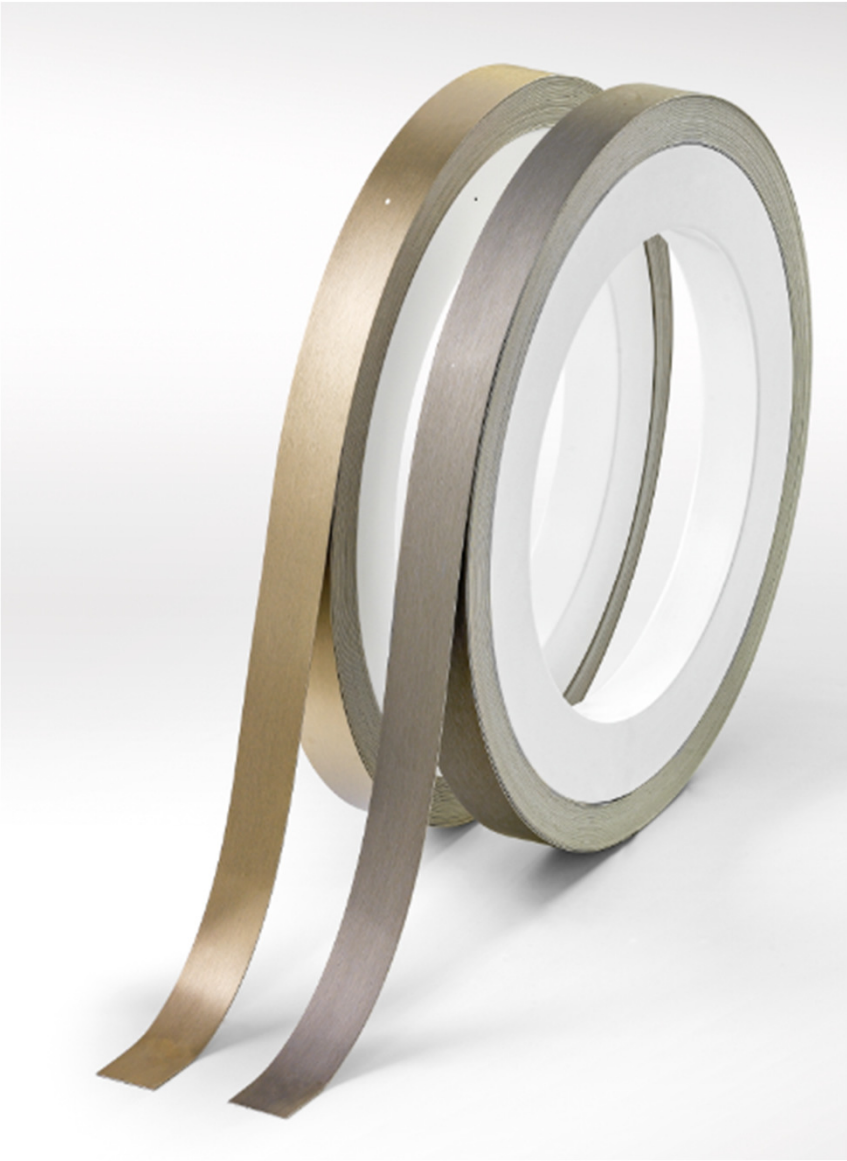
Besides adding a stylish, clean and trendy look, our metallic edgings add durability and protection to all applications.

PROADEC

SURTECO GROUP

PROALU

ALU EDGING



PROADEC

SURTECO GROUP

specifications:

PROALU edgings consist of a real aluminium foil laminated on ABS based material.

The ABS base colour is then covered by a real aluminium foil which is laminated to the surface of the ABS base edging.

The adhesion of the aluminium foil to the substrate has been completely tested and is fully guaranteed.

PROALU is highly resistant to chemical and mechanical agents.

advantages:

PROALU is a cost-effective option to replicate the real aluminium and metal effects.

Upmarket and fashionable product with real metallic effect.

Excellent processing characteristics.

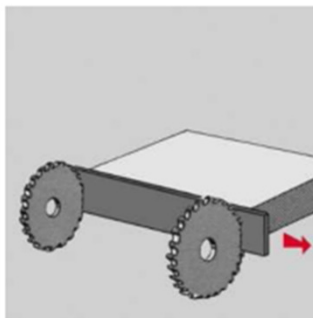
Does not damage standard tools during processing.

Can be produced in a wide variety of metallic shades and dimensions.

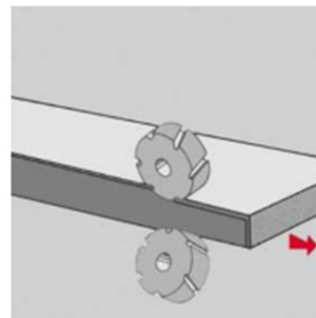
application:

PROALU edgings, due to its lamination process, may leave a metallic seam line visible.

PROALU edgings may not be so easy to process. Trimming and milling may not run so smoothly due the sharp ends of the aluminium foil. It is recommended the use of resistant (diamond) milling cutters.



End trimming



Pre-milling:

dimensions:

Thicknesses:

PROALU is produced in thicknesses ranging from 0,70 mm up to 1,20 mm.
- thicknesses above 1,20 mm may be produced upon customer's special request.

The final thickness of the PROALU edgings is the combination of:
the extruded thickness of the ABS edging + the aluminium foil thickness

Example for a 1,00 mm PROALU edging:

Extruded ABS edging : 0,92 mm

Aluminium foil : 0,08 mm

Final thickness : 1,00 mm

For commercial purposes, it is considered the final thickness (1,00 mm).

dimensions:

widths

PROALU is a calendared product and is produced in 260 mm jumbo rolls which are then slit according to customer's specifications.

lengths

Available either in jumbo rolls and slit material.

THICKNESS (mm)	WIDTH (mm)	LENGHT (m)	
		JUMBO MATERIAL	SLIT MATERIAL
0,70 - 1,20	260	100 (STD); 150	50; 75; 100 (STD); 150

PROALU

ALU EDGING

decors:

PROALU is available in 7 different shades.

All in stock EXPRESS LINE 1 x 23 mm



M047 Stainless Steel Aluminium - ProAlu



M048 Gold Aluminium - ProAlu



M021 Aluminium Silver - ProAlu



M049 Bronze Aluminium - ProAlu



M051 Champagne Aluminium - ProAlu



M052 Copper Aluminium - ProAlu



M063 Brushed Titan (mate)

PROADEC

SURTECO GROUP

PROADEC Portugal

SURTECO GROUP

PROADEC Portugal, S.A.

Vila do Conde

Portugal

TEL. +351 229 287 000 | proedge@proadec.com

www.proadec.com

 facebook.com/proadecportugal/